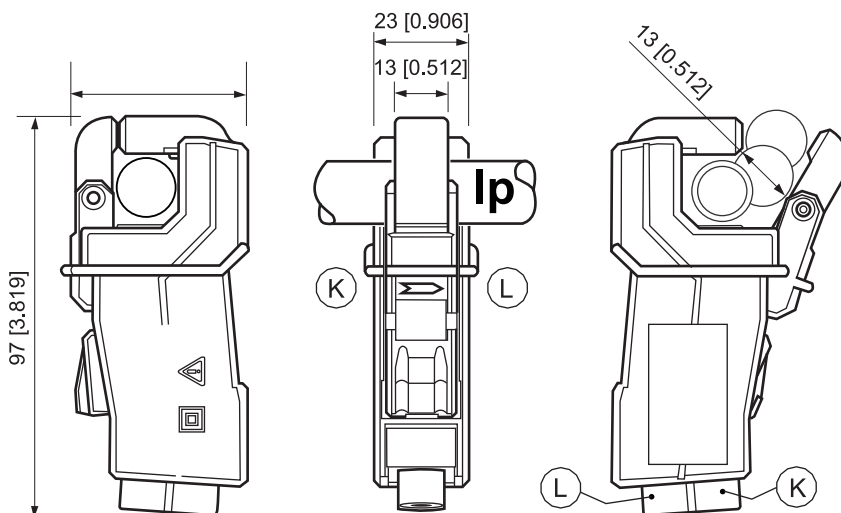


New Clamp-on CT

JCLA

Std. Model	JCLA-100	JCLA-200	JCLA-1000		JCLA-2000		JCLA-2500	
Current Ratio	100A/1A	200A/1A	100A/100mA	200A/200mA	100A/50mA	200A/100mA	5A/2mA	120A/48mA
Current Range	50mA~100A	100mA~200A	10mA~200A		1mA~200A		1mA~200A	
Max. Continuous Current	200A	300A	300A		300A		300A	
Output Voltage	500mV/0.5Ω	500mV/0.5Ω	100mV/1Ω	200mV/1Ω	250mV/5Ω	500mV/5Ω	20mV/10Ω	480mV/10Ω
Nominal Phase Angle Error	+0.5 ±1°							
Nominal Linearity Error	-0.5±1%							
Turns Ratio	100:1	200:1	1000:1		2000:1		2500:1	
DCR	0.43Ω	0.93Ω	20Ω		8.28Ω		133Ω	
Load Impedance	0.1Ω~0.5Ω	0.1Ω~0.5Ω	0.1Ω~1Ω		0.1Ω~5Ω		0.1Ω~10Ω	
Error due to adjacent conductor	Less than 15mA / A @ 50/60Hz							
Working Voltage in circuit	30V on naked conductors							
Weight	about 103g	about 107g						
Operating Frequency	50 / 60Hz							
Insulation Resistance	DC500V / 100MΩ or more (between Core and Output terminals)							
Dielectric Strength	AC 4000V / 1 min. (between Core and Output terminals)							
Latch / Unlatch	about 3000 times							
Output Terminals	4mm Safety Terminals							
Operating Condition	-20°C~+50°C, ≤85%RH, No condensation							
Storage Condition	-30°C~+90°C, ≤85%RH, No condensation							

Specification



Unit : mm

Dimension/
Connection/
Diagram